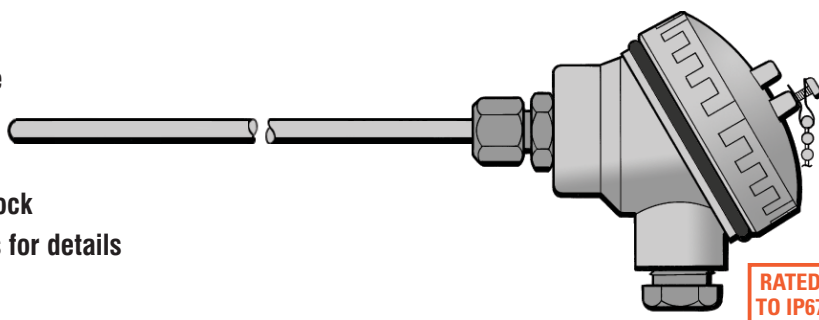


Custom Built Thermocouple Sensors with Standard Head

- Sensors made to meet your requirements
- Thermocouple types K, T, J, N and E available
- Sheath diameters from 4.5mm to 10.8mm
- Wide choice of sheath materials
- Die Cast Alloy Head with ceramic terminal block
- UKAS calibration available, please contact us for details
- Generally shipped in 5 to 7 days or sooner

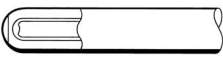



SECTION 1	Thermocouple Type	Temperature Range (continuous)
K	Nickel Chromium vs Nickel Aluminium	0°C to +1100°C
T	Copper vs Constantan	-185°C to +400°C
J	Iron vs Constantan	+50°C to +800°C
N	Nicrosil vs Nisil	0°C to +1200°C
E	Nickel Chromium vs Constantan	0°C to +800°C

SECTION 2	Sheath Material	Maximum Temperature
118	321 Stainless Steel (Types K, J, T & E)	800°C
125	310 Stainless Steel (Type K)	1100°C
176	Inconel 600 (Types K & N)	1100°C
114	Nicrobell D (Types K & N)	1250°C
156	Hastelloy X (Type K)	1220°C


SECTION 3	Sheath Diameter (mm)	Sheath Diameter (inches)
Standard Sizes	4.5mm	0.177"
	5.5mm*	0.216"
	6.0mm	0.236"
	8.0mm	0.315"
	10.8mm*	0.425"

* 5.5mm and 10.8mm sheaths are thick wall for heavy duty use

SECTION 4	Types of Sensing Junction	
2I		INSULATED (2ID for a Duplex element)
2G		GROUNDED (2GD for a Duplex element)

SECTION 5	Optional Stainless Steel Adjustable Compression Fittings	
Dia.	1/4" BSPT	1/2" BSPT
4.5mm	ACF10S	ACF11S
5.5mm	ACF13S	ACF14S
6.0mm	ACF16S	ACF17S
8.0mm	ACF27S	ACF56S
10.8mm	—	ACF41S

For our full range of fittings, please see pages 72 and 73

SECTION 6	Optional 4 to 20mA Head Mounted Transmitter (please specify range in °C)
TXLTC	 <p>Fully Linearised</p>

Order Code - Example								
Type N°	Thermocouple Type (See section 1)	Sheath Length in mm	Sheath Material (See section 2)	Sheath Dia. (See section 3)	Sensing Junc. (See section 4)	Termination (Standard 3P11 Head)	Compression Fitting (Optional, see section 5)	Transmitter (Optional, see section 6)
12	- K	- 750	- 118	- 6.0	- 2I	- 3P11	- ACF16S	- TXLTC(0/100°C)