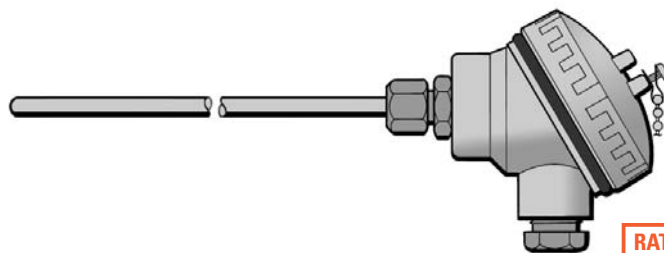


Custom Built Thermocouple Sensors with Miniature Head

- Sensors made to meet your requirements
- Thermocouple types K, T, J, N and E available
- Sheath diameters from 3.0mm to 8mm
- Wide choice of sheath materials
- Die Cast Alloy Head with ceramic terminal block
- UKAS calibration available, please contact us for details
- Generally shipped in 5 to 7 days or sooner



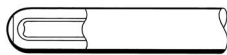

RATED TO IP67

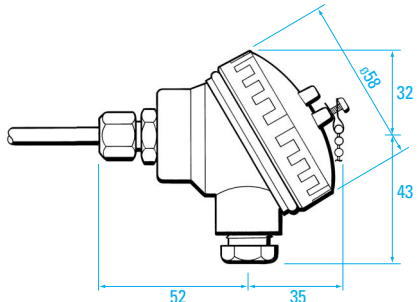
SECTION 1	Thermocouple Type	Temperature Range (continuous)
K	Nickel Chromium vs Nickel Aluminium	0°C to +1100°C
T	Copper vs Constantan	-185°C to +400°C
J	Iron vs Constantan	+50°C to +800°C
N	Nicrosil vs Nisil	0°C to +1200°C
E	Nickel Chromium vs Constantan	0°C to +800°C

SECTION 2	Sheath Material	Maximum Temperature
118	321 Stainless Steel (Types K, J, T & E)	800°C
125	310 Stainless Steel (Type K)	1100°C
176	Inconel 600 (Types K & N)	1100°C
114	Nicrobell D (Types K & N)	1250°C
156	Hastelloy X (Type K)	1220°C

SECTION 3	Sheath Diameter (mm)	Sheath Diameter (inches)
Standard Sizes	3.0mm	0.118"
	4.5mm	0.177"
	5.5mm*	0.216"
	6.0mm	0.236"
	8.0mm	0.315"

* 5.5mm sheath is thick wall for heavy duty use

SECTION 4	Types of Sensing Junction	
2I		INSULATED (2ID for a Duplex element)
2G		GROUNDED (2GD for a Duplex element)

SECTION 5	Termination
3P10	

SECTION 6	Optional Stainless Steel Adjustable Compression Fittings		
Dia.	1/8" BSPT	1/4" BSPT	1/2" BSPT
3.0mm	ACF05S	ACF59S	ACF58S
4.5mm	ACF55S	ACF10S	ACF11S
5.5mm	—	ACF13S	ACF14S
6.0mm	ACF15S	ACF16S	ACF17S
8.0mm	—	ACF27S	ACF56S

For our full range of fittings, please see pages 72 and 73

Order Code - Example

Type No	Thermocouple Type (See section 1)	Sheath Length in mm	Sheath Material (See section 2)	Sheath Diameter (See section 3)	Sensing Junction (See section 4)	Termination (See section 5)	Compression Fitting (Optional, see section 6)
12	- K	- 750	- 125	- 3.0	- 2I	- 3P10	- ACF59S